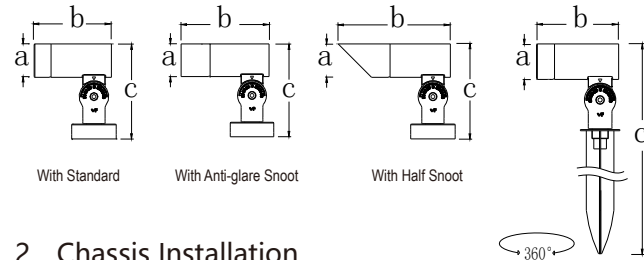


Konane series installation instructions

1. Specification

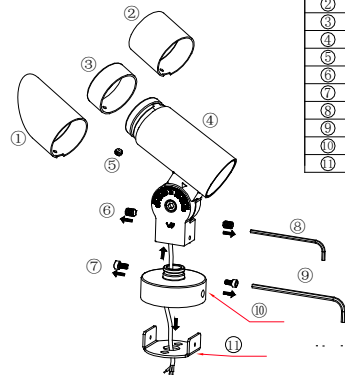
Flood Light Product Dimension	a(mm)	b(mm)	c(mm)
φ45mm Standard	φ 45	104	128
With Half Snoot	φ 45	151	128
With Anti-glare Snoot	φ 45	121	128
φ70mm Standard	φ 70	142	153
With Half Snoot	φ 70	216	153
With Anti-glare Snoot	φ 70	183.5	153
φ100mm Standard	φ 100	197	221
With Half Snoot	φ 100	302	221
With Anti-glare Snoot	φ 100	263	224

Spike Light Product Dimension	a(mm)	b(mm)	c(mm)
φ45mm Standard	φ 45	104	358
With Half Snoot	φ 45	151	358
With Anti-glare Snoot	φ 45	121	358
φ70mm Standard	φ 70	142	383
With Half Snoot	φ 70	216	383
With Anti-glare Snoot	φ 70	183.5	383
φ100mm Standard	φ 100	197	440
With Half Snoot	φ 100	302	440
With Anti-glare Snoot	φ 100	263	440



2. Chassis Installation

1.0

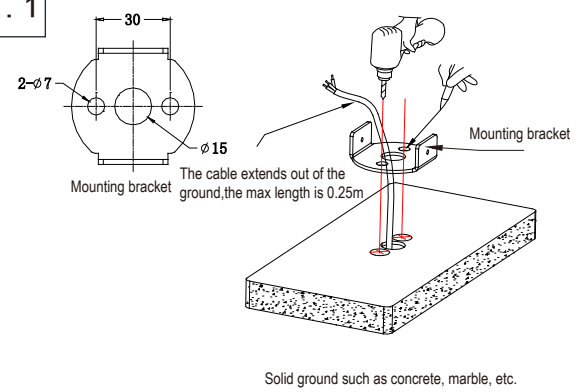


No.	Accessories	Number
①	Half Snoot	1
②	Anti-glare Snoot	Choose one of three
③	Standard Snoot	1
④	Fixture	1
⑤	Stainless steel screw headless hexagon socket M4*3mm	1
⑥	Stainless steel screw headless hexagon socket M4*6mm	2
⑦	Hexagon socket screw stainless steel 304, M4*6mm	2
⑧	7-shaped Allen Key 2mm across side	1
⑨	7-shaped Allen Key 5mm across side	1
⑩	Mounting chassis	1
⑪	Mounting bracket	1

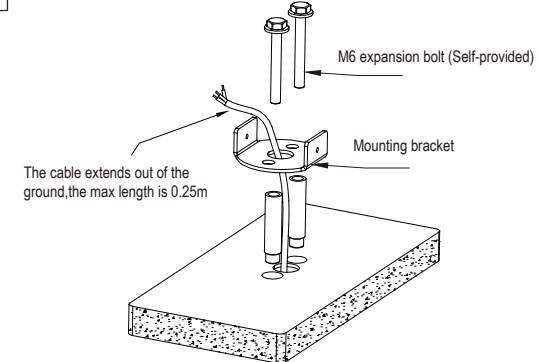
1.

2.

1.1

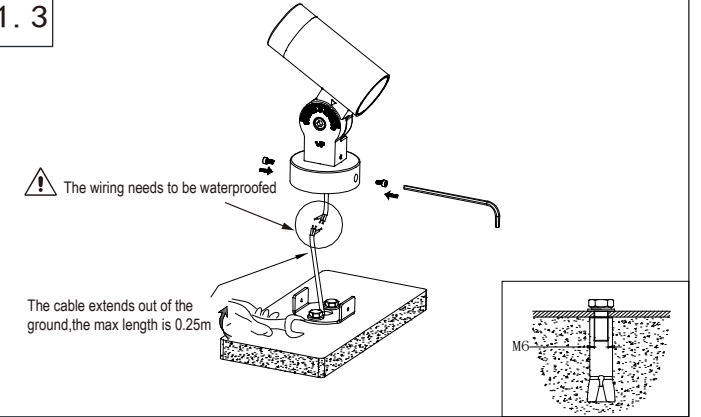


1.2



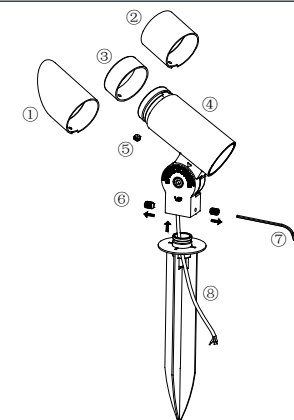
3.

1.3



3. Spike Installation

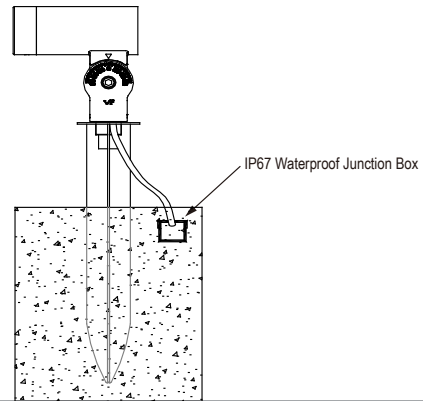
2.0



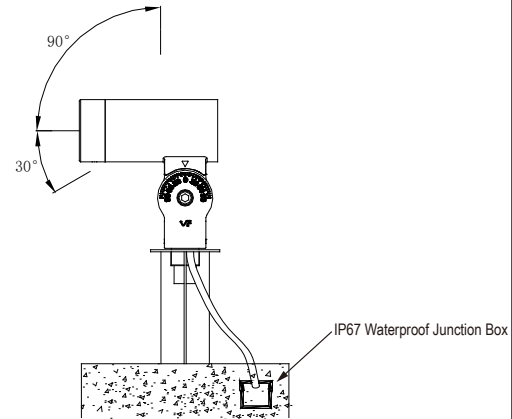
No.	Accessories	Number
①	Half Snoot	1
②	Anti-glare Snoot	Choose one of three
③	Standard Snoot	1
④	Fixture	1
⑤	Stainless steel screw headless hexagon socket M4*3mm	1
⑥	Stainless steel screw headless hexagon socket M4*6mm	2
⑦	7-shaped Allen Key 2mm across side	1
⑧	Spike Rod (Individually packaged)	1
⑨		
⑩		
⑪		

4.

2. 1



2. 2



4. Wiring instructions

3 core wire (applicable for non-dimmable and phase dim)




Brown : AC 220V L
Blue : AC 220V N
Yellow & Green : GND

5 core wire (applicable for 0-10V dimmable and DALI dimmable)



Brown : AC 220V L
Blue : AC 220V N
Yellow & Green : GND
Red : DIM +
Black : DIM -

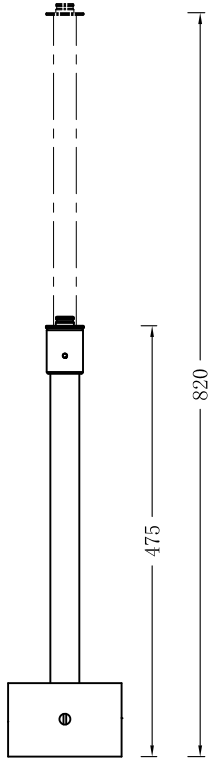


 Suitable for indoor and outdoor environment.

- Use only drivers that comply with IEC or CE safety standards.
- Check if the power supply match with the luminaire.
- Must consider the maximum current value displayed on the label of the luminaire.
- The voltage displayed on the luminaire is not used to select the constant voltage driver, but the voltage covered by the selected constant current driver.
- Take suitable ESD measures to avoid touching bare conductors.
- LED chips can be damaged if be in touch with chemical material or gas. Therefore, it is not allowed to clean the LED housing or luminaire by chemicals.
- The following items are confirmed to have negative impact on the performance of the luminaire, avoid to keep luminaire in the same circumstance with them.
 - Methyl acetate or ethyl acetate (i.e., nail polish remover)
 - Cyanoacrylates (i.e., "Superglue")
 - Glycol ethers (including Radio Shack @ Precision Electronics)
 - Cleaner - dipropylene glycol monomethyl ether
 - Formaldehyde or butadiene (including Ashland PLIOBOND @ adhesive)
 - Dymax 984-LVUF conformal coating
 - Loctite Sumo Glue, Loctite 384 adhesive, Loctite 7387 activator
 - Gorilla Glue, Bleach, Bleach-containing cleaners, sprays
- Remove the insulation material from the luminaire or provide enough space so that the temperature raising will not overpass the limited TC.
- LED chip is very sensitive to switching transients, therefore, LED lamps and appliances must be connected after power cut off, no hotswappable.
- Recommends using the driver indicated on the luminaire manual.
- Must consider the polarity of the product.
- If the external flexible cable or cord of this lamp is damaged, the cord should be replaced by the manufacturer or its service agent or a similarly qualified person
- Non-replaceable light source (The light source of this luminaire is not replaceable; When the light source reaches the end of its life, the entire luminaire should be replaced)

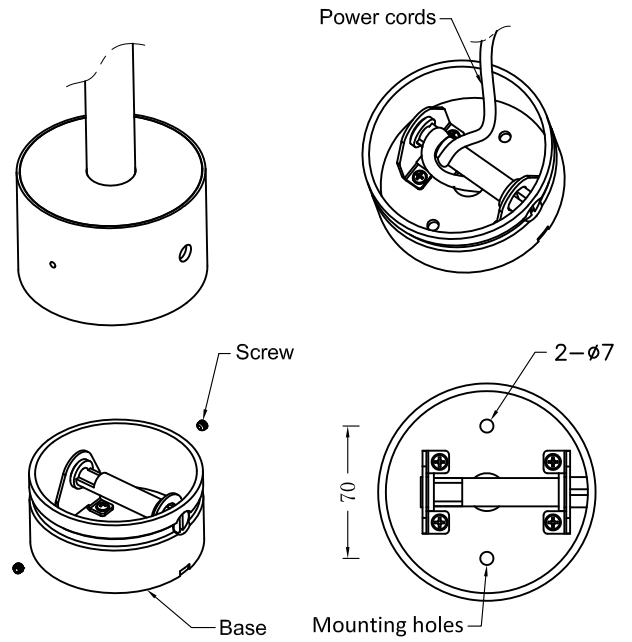
Konane Telescope Pole installation Guide

1. Telescope Pole Height: 475mm-820mm



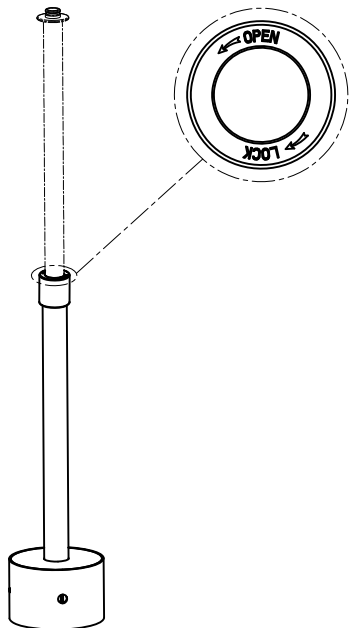
2. Base Installation

Loosen the 2 screws to remove the base cover. Connect the cables and secure the base with screws through the mounting holes.



3. Adjusting the Height of the Telescope Pole

Loosen the knob in the direction of the (OPEN) marking to adjust the length of rod. Finishing the adjustment, then tighten the knob in the direction of the (LOCK) marking.



4. Telescope Pole take-up installation

There is a cable take-up device – which can be rotated with a suitable tool, and the wire take-up device will curl up the cable on the wheel.

