

ROMAN

Roman series installation instructions

Model	Size
9728130	L1000 x W100 x H55
	L1500 x W100 x H55

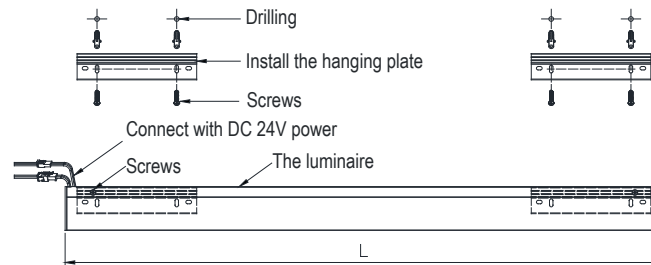
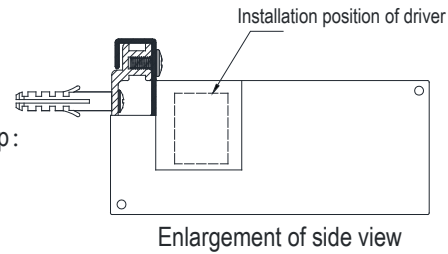
Splicing length of different power

Power	10W(UP5W+DOWN5W)	20W(UP10W+DOWN10W)
Length	5m	4m

Remark: This installation instruction is also applicable to other lengths.

Installation Instructions:

I : Installation of single lamp :

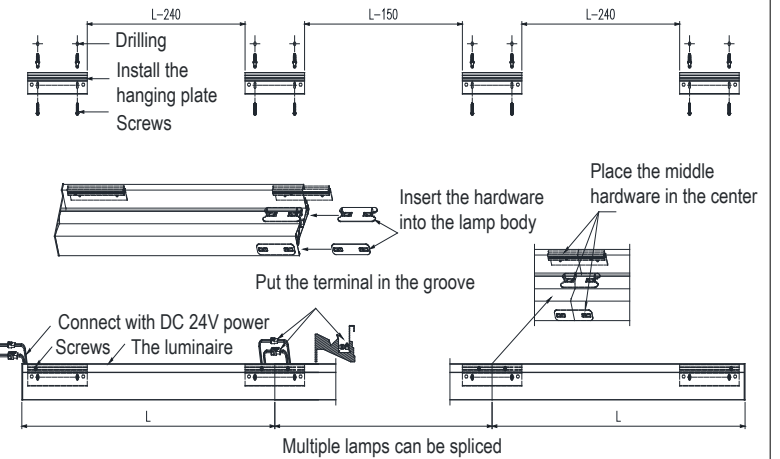


- 1、 Drill holes according to the size, and install the hanging plate with screws
- 2、 Fix the lamp on the hanging plate with screws
- 3、 Connect the input terminal with DC 24V power

1.

II : Installation of multiple lamps

The distance is as follows for the middle section of lamps



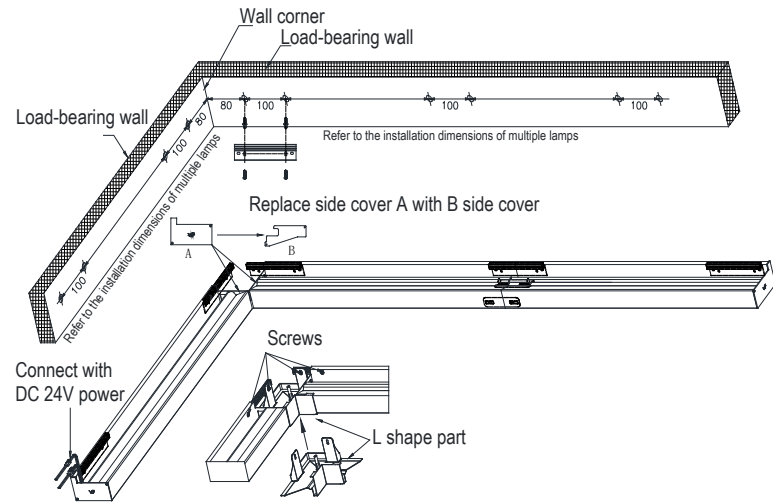
- 1、 Drill holes according to the size, and install the hanging plate with screws
- 2、 Fix the lamp on the hanging plate with screws
- 3、 Connect the terminals between the lamps, then connect with DC 24V power

Attention: it is recommended to install the lamp body while drilling to reduce the drilling inaccuracy.

2.

3.

III : L splicing installation instruction



- 1、 When doing L shape installation, start drilling from the corner to facilitate positioning
- 2、 The L shape part should be installed from bottom to top as per the figure, and then fix the part and lamp with screws.
- 3、 Connect the terminals between the lamps, then connect with DC 24V power

Attention: it is recommended to install the lamp body while drilling to reduce the drilling inaccuracy.

4.

Do not clean LED chip and reflector with hand or towel !



- Use only drivers that comply with IEC or CE safety standards.
- Check if the power supply match with the luminaire.
- Must consider the maximum current value displayed on the label of the luminaire.
- The voltage displayed on the luminaire is not used to select the constant voltage driver, but the voltage covered by the selected constant current driver.
- Take suitable ESD measures to avoid touching bare conductors.
- LED chips can be damaged if be in touch with chemical material or gas. Therefore, it is not allowed to clean the LED housing or luminaire by chemicals.
- The following items are confirmed to have negative impact on the performance of the luminaire, avoid to keep luminaire in the same circumstance with them.
 - Methyl acetate or ethyl acetate (i.e., nail polish remover)
 - Cyanoacrylates (i.e., "Superglue")
 - Glycol ethers (including Radio Shack ® Precision Electronics)
 - Cleaner - dipropylene glycol monomethyl ether)
 - Formaldehyde or butadiene (including Ashland PLIOBOND ® adhesive)
 - Dymax 984-LVUF conformal coating
 - Loctite Sumo Glue、 Loctite 384 adhesive、 Loctite 7387 activator
 - Gorilla Glue、 Bleach, Bleach-containing cleaners, sprays

- Remove the insulation material from the luminaire or provide enough space so that the temperature raising will not overpass the limited TC.
- LED chip is very sensitive to switching transients, therefore, LED lamps and appliances must be connected after power cut off, no hotswappable.
- Recommends using the driver indicated on the luminaire manual.
- Must consider the polarity of the product.
- If the external flexible cable or cord of this lamp is damaged, the cord should be replaced by the manufacturer or its service agent or a similarly qualified person
- The light source in this lamp should be replaced by the manufacturer or its service agent or a similarly qualified person

5.



The LED luminaire is installed indoor not outdoor.
It is not allowed to be rinsed with water.



24V Constant voltage LED independent driver.
The luminaire is surface-mounted.

6.