

POYO

Poyo series installation instructions

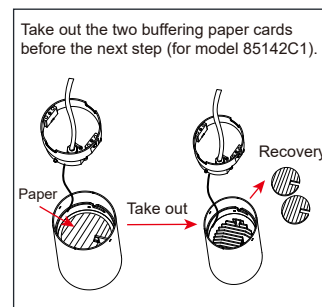
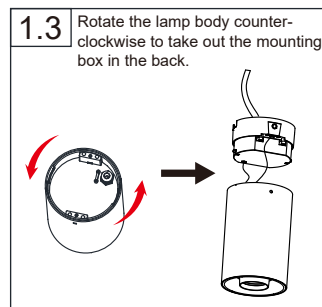
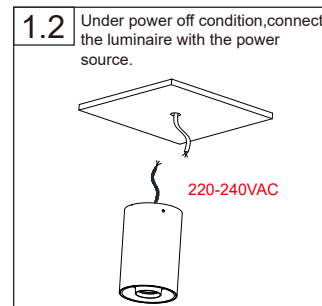
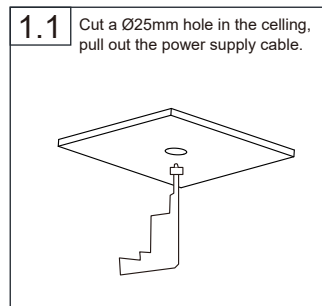
1.

SERIES			
DS00801	DS00802	DS00803	DS00804
DS00805	DS00806	DS00807	

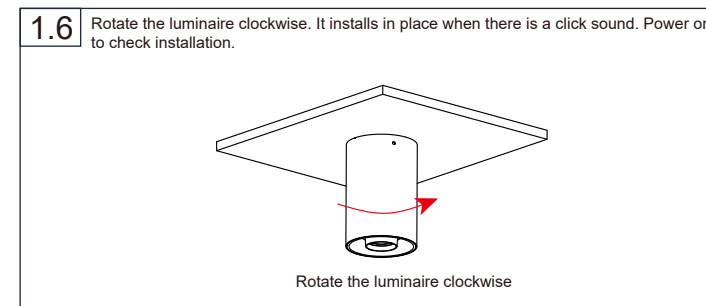
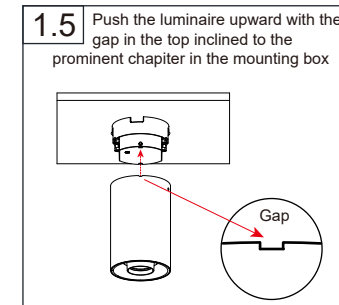
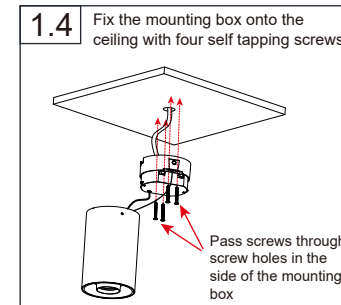
Suitable for indoor environment and specific outdoor environment

Installation I

This step is suitable for installation with electrical box.



2.



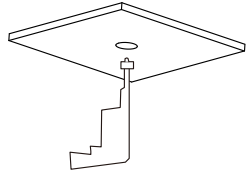
Specific appearance in kind prevail !

Installation II

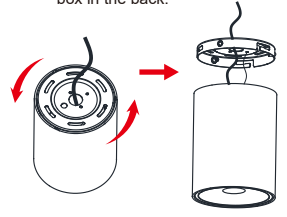
This step is suitable for installation without electrical box.

3.

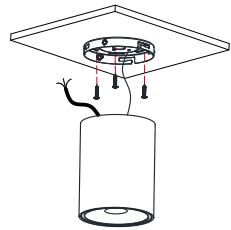
2.1 Cut a hole in the assembly position referring to Step 1.1



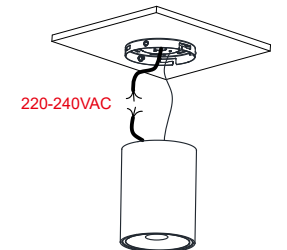
2.2 Rotate the lamp body counterclockwise to take out the mounting box in the back.



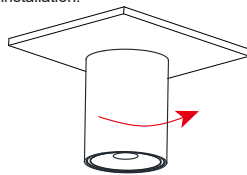
2.3 Fix the mounting plate by screws.



2.4 Pull out the power supply cable and connect with the light.



2.5 Rotate the luminaire clockwise. It installs in place when there is a click sound. Power on to check installation.



Rotate the luminaire clockwise

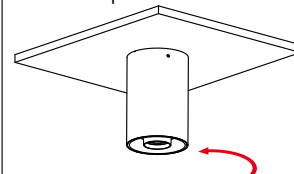
4.

Optical Accessories Change:

Options: Honeycomb, Cross louver, Soft lens

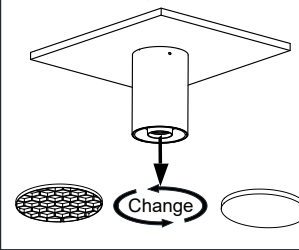
This is only for Model DS00802, DS00804

3.1 Take out the anti-glare ring with power off.

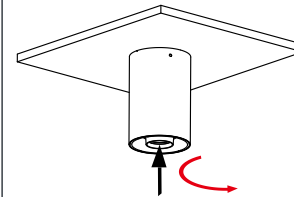


Rotate the anti-glare ring counterclockwise.

3.2 Change into needed accessory



3.3 Rotate the ring clockwise and finish change.



Rotate it clockwise.

5.

Do not clean LED chip and reflector with hand or towel !



- Use only drivers that comply with IEC or CE safety standards.
- Check if the power supply match with the luminaire.
- Must consider the maximum current value displayed on the label of the luminaire.
- The voltage displayed on the luminaire is not used to select the constant voltage driver, but the voltage covered by the selected constant current driver.
- Take suitable ESD measures to avoid touching bare conductors.
- LED chips can be damaged if be in touch with chemical material or gas. Therefore, it is not allowed to clean the LED housing or luminaire by chemicals.
- The following items are confirmed to have negative impact on the performance of the luminaire, avoid to keep luminaire in the same circumstance with them.
 - Methyl acetate or ethyl acetate (i.e., nail polish remover)
 - Cyanoacrylates (i.e., "Superglue")
 - Glycol ethers (including Radio Shack ® Precision Electronics Cleaner - dipropylene glycol monomethyl ether)
 - Formaldehyde or butadiene (including Ashland PLIOBOND ® adhesive)
 - Dymax 984-LVUF conformal coating
 - Loctite Sumo Glue. Loctite 384 adhesive. Loctite 7387 activator
 - Gorilla Glue. Bleach, Bleach-containing cleaners, sprays

- Remove the insulation material from the luminaire or provide enough space so that the temperature raising will not overpass the limited TC.
- LED chip is very sensitive to switching transients, therefore, LED lamps and appliances must be connected after power cut off, no hotswappable.
- Recommends using the driver indicated on the luminaire manual.
- Must consider the polarity of the product.
- If the external flexible cable or cord of this lamp is damaged, the cord should be replaced by the manufacturer or its service agent or a similarly qualified person
- The light source in this lamp should be replaced by the manufacturer or its service agent or a similarly qualified person

6.