

POYO

Poyo series installation instructions

1.

SERIES			
DP00801	DP00802	DP00803	DP00804
DP00805	DP00806	DP00807	

Installation Instructions:

The specific appearance is subject to the real product !

1 Cut an around Ø20mm hole in the installation location and pull out the power line

2.

2 Take out the mounting bracket and use it to position the installation site. Cut two holes to install the mounting bracket

3 Assemble the pipe according to the following steps

- ③ Take out the mounting plate and knurled nut, and pass them through the pipe
- ① Take out the pipe and pass the wire of the luminaire through the pipe. Rotate the pipe into the screw thread hole
- ② Tighten the screw in the side to avoid the fall of the pipe

4 Install the luminaire according to the following steps

- ① Pass the wire of luminaire through the central hole of the mounting bracket
- ③ Tighten the screws with the trough holes in the pipe aligning with the screws of the mounting bracket. Tighten in both sides to avoid falling.

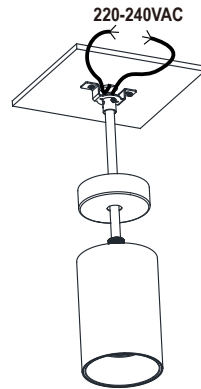
② Push the pipe up into the central hole of the mounting bracket

For 861D1D1,861D1E1,861D1F1, they are too heavy. It is suggested that insert a bolt into one hole to hook the luminaire before tightening the other screws.

3.

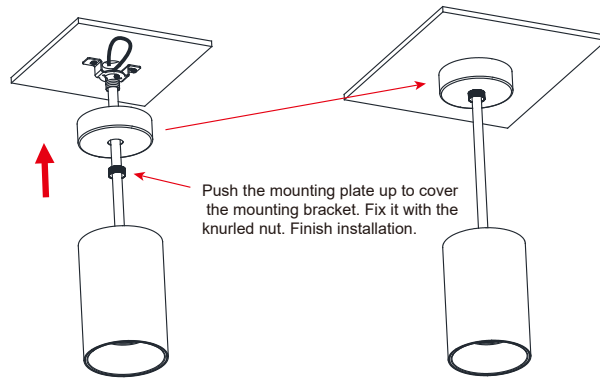
5

Connect the Luminaire with the power line

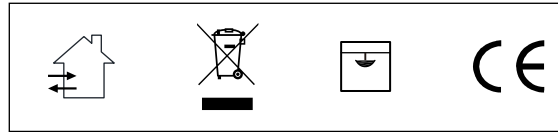


6

Tidy the wires and put them into the ceiling or mounting plate



4.



Suitable for indoor and outdoor environment.



LED driver is built in, Suspended type Installation.

Do not clean LED chip and reflector with hand or towel !



- Use only drivers that comply with IEC or CE safety standards.
- Check if the power supply match with the luminaire.
- Must consider the maximum current value displayed on the label of the luminaire.
- The voltage displayed on the luminaire is not used to select the constant voltage driver, but the voltage covered by the selected constant current driver.
- Take suitable ESD measures to avoid touching bare conductors.
- LED chips can be damaged if be in touch with chemical material or gas. Therefore, it is not allowed to clean the LED housing or luminaire by chemicals.
- The following items are confirmed to have negative impact on the performance of the luminaire, avoid to keep luminaire in the same circumstance with them.
 - Methyl acetate or ethyl acetate (i.e., nail polish remover)
 - Cyanoacrylates (i.e., "Superglue")
 - Glycol ethers (including Radio Shack ® Precision Electronics Cleaner - dipropylene glycol monomethyl ether)
 - Formaldehyde or butadiene (including Ashland PLIOBOND ® adhesive)
 - Dymax 984-LVUF conformal coating
 - Loctite Sumo Glue - Loctite 384 adhesive - Loctite 7387 activator
 - Gorilla Glue - Bleach, Bleach-containing cleaners, sprays
- Remove the insulation material from the luminaire or provide enough space so that the temperature raising will not overpass the limited TC.
- LED chip is very sensitive to switching transients, therefore, LED lamps and appliances must be connected after power cut off, no hotswappable.
- Recommends using the driver indicated on the luminaire manual.
- Must consider the polarity of the product.
- If the external flexible cable or cord of this lamp is damaged, the cord should be replaced by the manufacturer or its service agent or a similarly qualified person
- The light source in this lamp should be replaced by the manufacturer or its service agent or a similarly qualified person

5.

6.