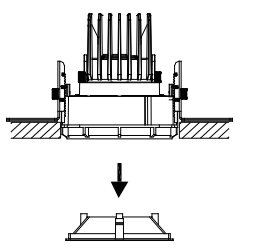
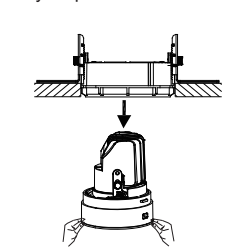
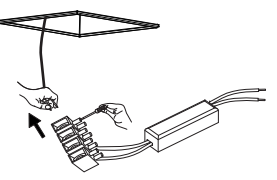
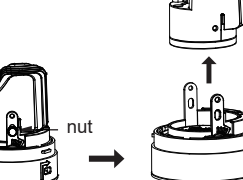
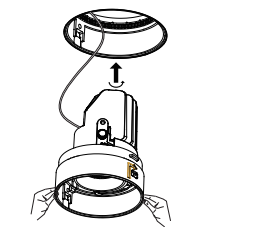
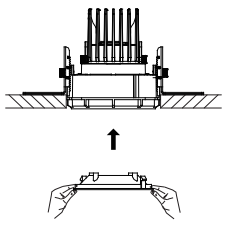
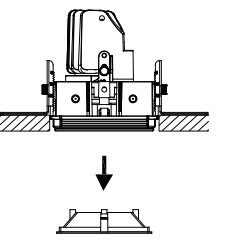
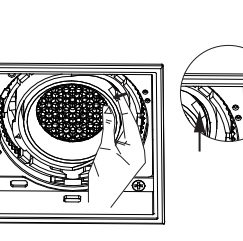
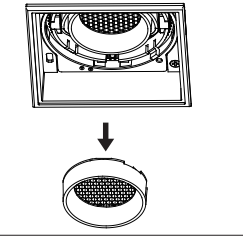
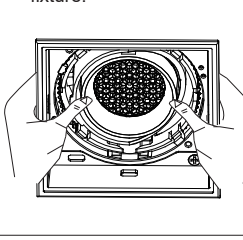
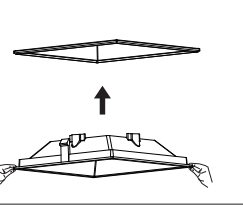


INSTRUCTION OF LED ENGINE REPLACEMENT

- 1 Take out the front cover. 
- 2 Rotate and take out the housing body as per the arrow direction. 
- 3 Cut off the power supply, pull the power supply cable out of the terminal block. 
- 4 Loosen the screws between bracket the LED engine, and replace the new engine. 
- 5 Push the main housing into frame and install as per housing arrow direction. 
- 6 Push the front cover inside the fixture. 

7.

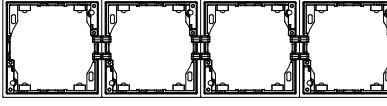
INSTRUCTION OF REPLACEMENT OF DIFFERENT OPTIC ACCESSORIES

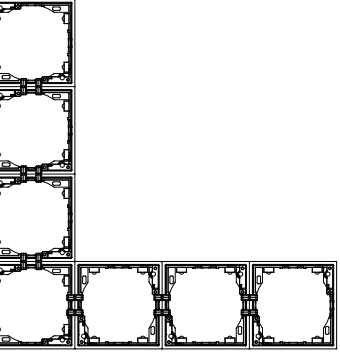
- 1 Take out the front cover. 
- 2 Take out the optic accessories. 
- 3 Replace with new or other accessories. 
- 4 Push the new one back to the fixture. 
- 5 Push the front cover inside the fixture. 

8.

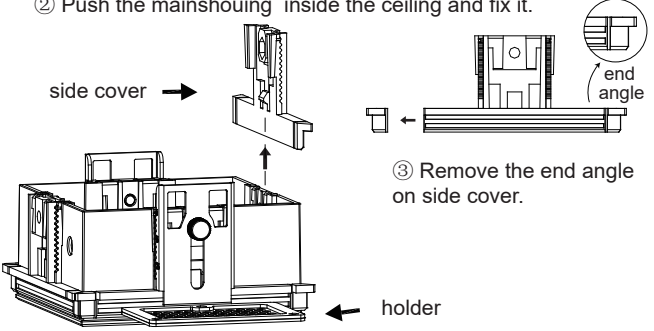
INSTRUCTION FOR THE MULTIPLE CONNECTOIN

HEADS	CUT-OUT
Two heads	185 × 98mm
Three heads	(185+86 × 1) × 98mm
Four heads	(185+86 × 2) × 98mm
Five heads	(185+86 × 3) × 98mm
...	...

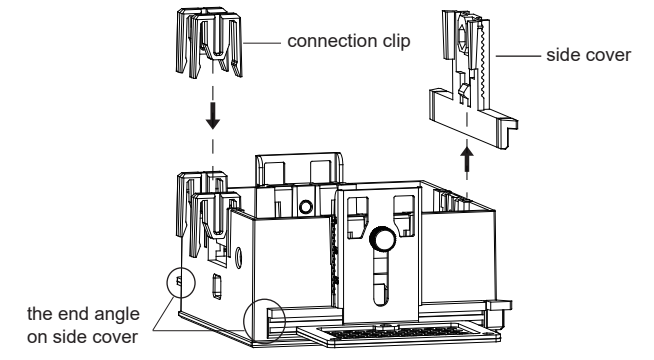
- 1 "—" shape multiple connection. 

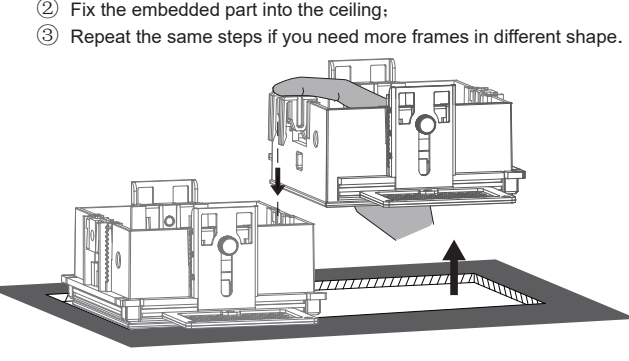
- 2 "L" shape multiple connection. 

9.

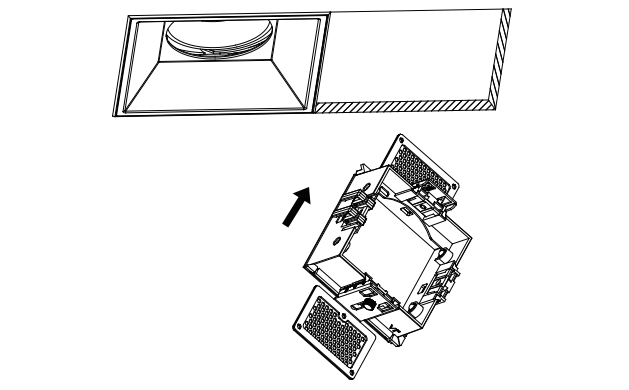
- 3 ① Put the 2 clips inside one main frame without any fixture body, take out the side cover; ② Push the mainhousing inside the ceiling and fix it.  side cover → end angle ③ Remove the end angle on side cover. holder


10.

- 4 ① Take out the side cover and the opposite one on the frame when multiple connection.(no need to take out side cover at the late one. ② Remove 2 pcs of end angle on side cover as per below picture ③ Put the 2 clips inside one main frame without any fixture body.  connection clip side cover the end angle on side cover

- 5 ① Put the 2 clipe inside the other new main frame and Push the new frame back to the ceiling and fix it with the previous one; ② Fix the embedded part into the ceiling; ③ Repeat the same steps if you need more frames in different shape. 

11.

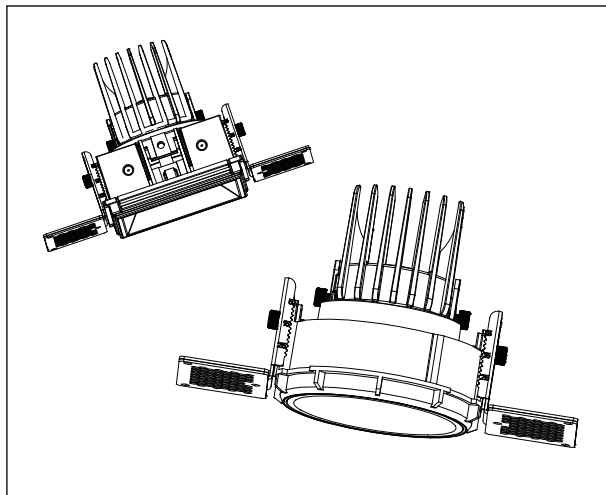
- 6 Put the frame into the ceiling. 

Do not clean LED chip and reflector with hand or towel !   

- Use only drivers that comply with IEC or CE safety standards.
- Check if the power supply match with the luminaire.
- Must consider the maximum current value displayed on the label of the luminaire.
- The voltage displayed on the luminaire is not used to select the constant voltage driver, but the voltage covered by the selected constant current driver.
- Take suitable ESD measures to avoid touching bare conductors.
- LED chips can be damaged if be in touch with chemical material or gas. Therefore, it is not allowed to clean the LED housing or luminaire by chemicals.
- The following items are confirmed to have negative impact on the performance of the luminaire, avoid to keep luminaire in the same circumstance with them.
 - Methyl acetate or ethyl acetate (i.e., nail polish remover)
 - Cyanoacrylates (i.e., "Superglue")
 - Glycol ethers (including Radio Shack @ Precision Electronics Cleaner - dipropylene glycol monomethyl ether)
 - Formaldehyde or butadiene (including Ashland PLIOBOND @ adhesive)
 - Dymax 984-LVUF conformal coating
 - Loctite Sumo Glue, Loctite 384 adhesive, Loctite 7387 activator
 - Gorilla Glue, Bleach, Bleach-containing cleaners, sprays

- Remove the insulation material from the luminaire or provide enough space so that the temperature raising will not overpass the limited TC.
- LED chip is very sensitive to switching transients, therefore, LED lamps and appliances must be connected after power cut off, no hotswappable.
- Recommends using the driver indicated on the luminaire manual.
- Must consider the polarity of the product.
- If the external flexible cable or cord of this lamp is damaged, the cord should be replaced by the manufacturer or its service agent or a similarly qualified person
- The light source in this lamp should be replaced by the manufacturer or its service agent or a similarly qualified person

12.



MASTER

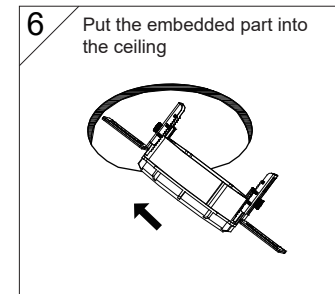
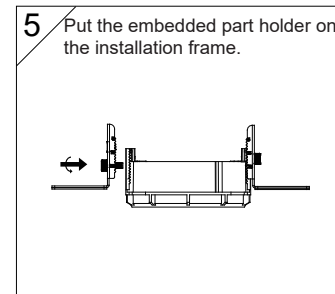
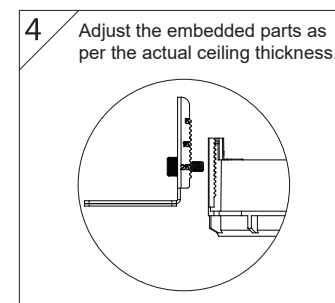
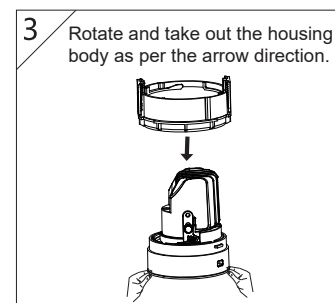
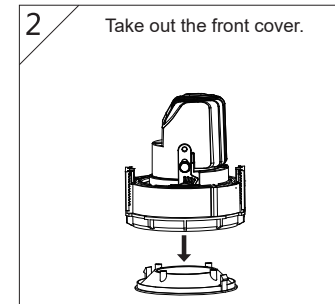
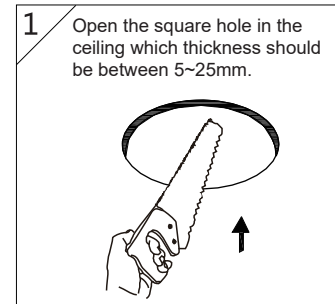
COB series installation instructions

1.

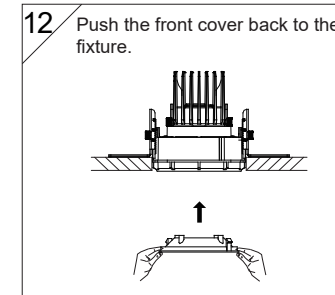
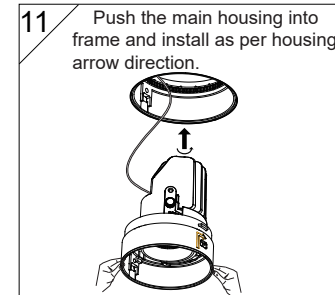
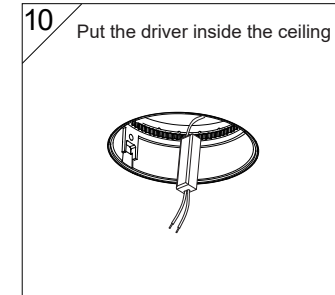
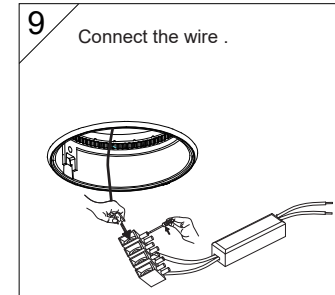
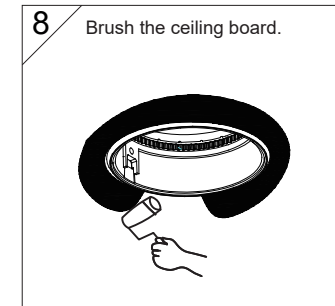
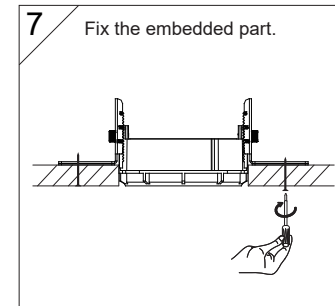
SERIES	CUT OUT	SERIES	CUT OUT
DR00307	98×98mm	DR00308	98×98mm
DR00323	98×98mm	DR00325	98×98mm
DR00303	∅98mm	DR00304	∅98mm
DR00315	∅98mm	DR00317	∅98mm

2.

INSTALLATION STEPS (∅98mm)

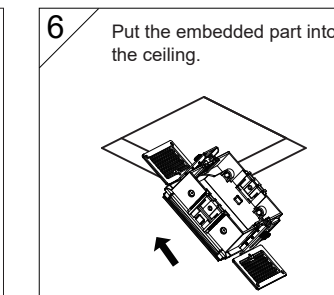
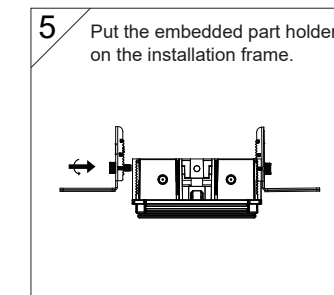
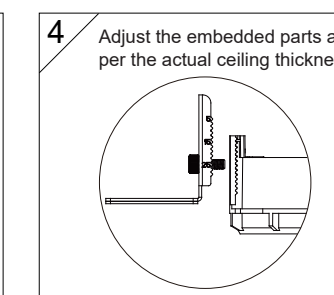
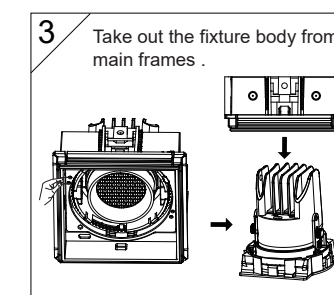
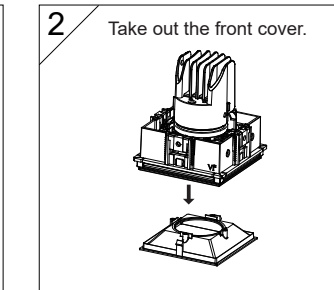
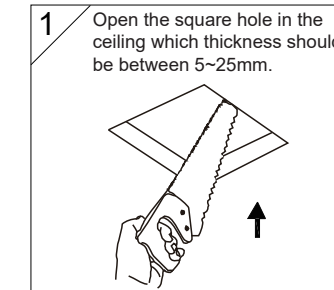


3.

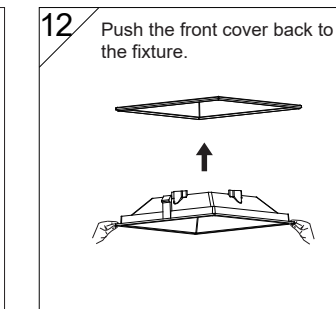
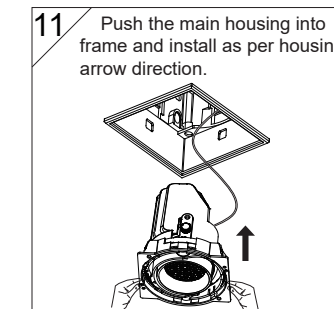
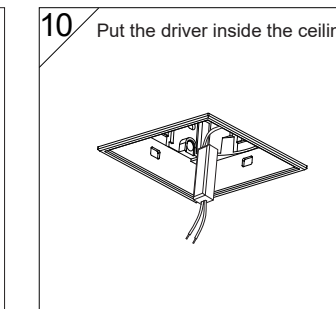
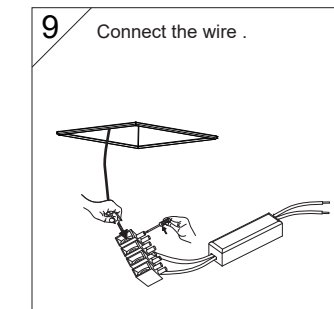
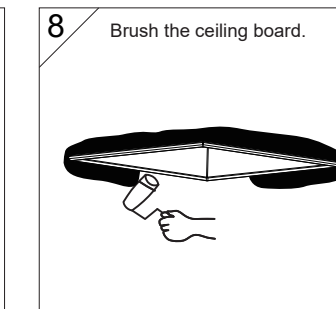
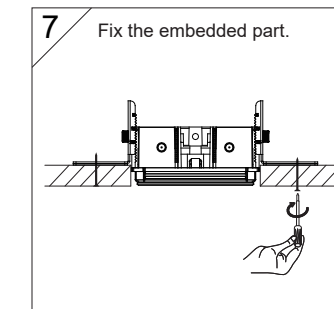


4.

INSTALLATION STEPS (98x98mm)



5.



6.