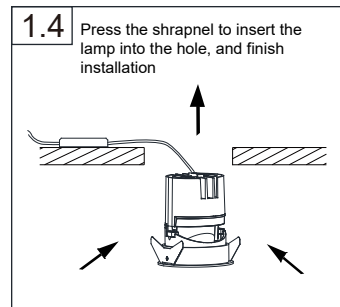
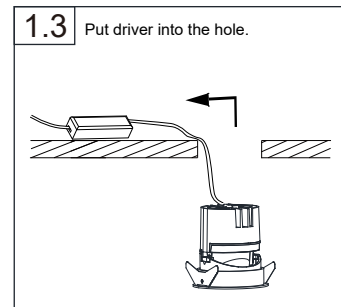
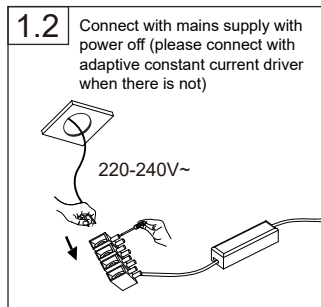
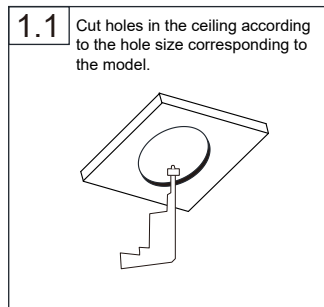


LINNOU II

Linnou II series installation instructions

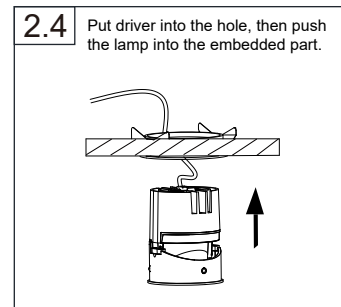
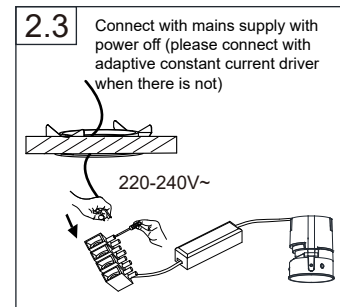
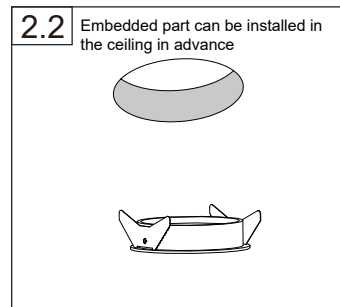
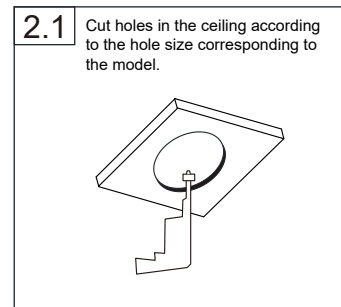
SERIES	CUT-OUT	SERIES	CUT-OUT
Narrow trim series (suitable for ceiling thickness 5-14mm)			
DR00705	Ø60mm	DR00706	Ø60mm
31111A2	Ø60mm	31112A2	Ø60mm
31111A3	Ø60mm	31112A3	Ø60mm
DR00711	Ø70mm	DR00712	Ø70mm
DR00713	Ø70mm	DR00714	Ø70mm
DR00715	Ø70mm	DR00716	Ø70mm

Installation I (for sharpnel installation of narrow trim):



The above is only for narrow trim series.
The actual appearance shall prevail in kind!

Installation II (for embedded part installation):



The actual appearance shall prevail in kind!

1.

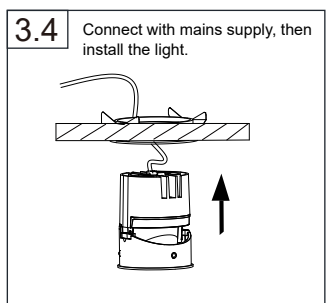
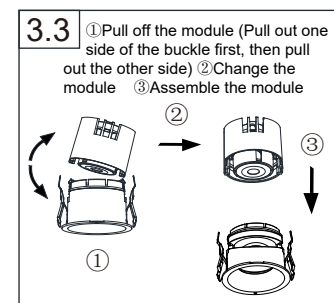
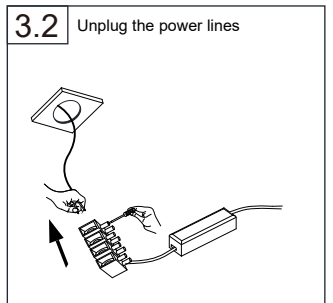
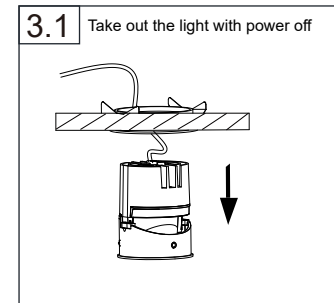
2.

3.

4.

LED module replacement:

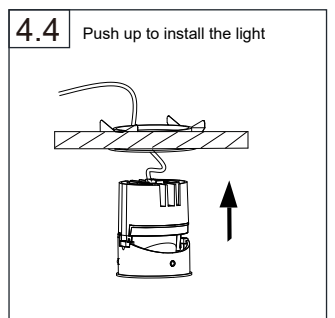
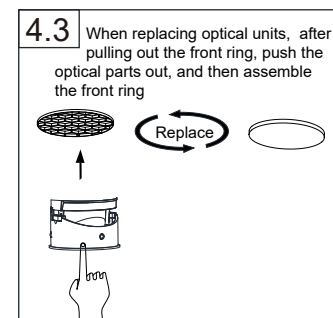
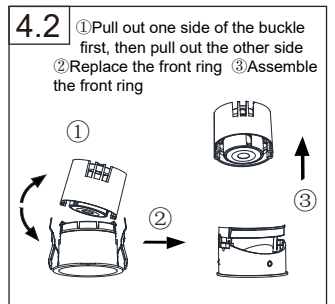
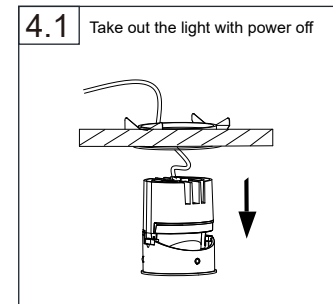
Take narrow trim as an example, trimless version also refer to this guide.



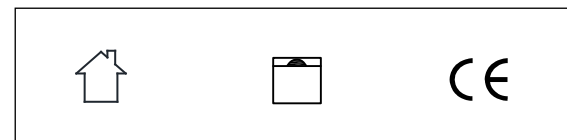
5.

The front ring and optical accessories replacement:

Take narrow trim as an example, trimless version also refer to this guide.



6.



This product is only suitable for indoor, it is not allowed to be rinsed with water.

Independent external driver, recessed mounted.

7.

Do not clean LED chip and reflector with hand or towel !



- Use only drivers that comply with IEC or CE safety standards.
- Check if the power supply match with the luminaire.
- Must consider the maximum current value displayed on the label of the luminaire.
- The voltage displayed on the luminaire is not used to select the constant voltage driver, but the voltage covered by the selected constant current driver.
- Take suitable ESD measures to avoid touching bare conductors.
- LED chips can be damaged if be in touch with chemical material or gas. Therefore, it is not allowed to clean the LED housing or luminaire by chemicals.
- The following items are confirmed to have negative impact on the performance of the luminaire, avoid to keep luminaire in the same circumstance with them.
 - Methyl acetate or ethyl acetate (i.e., nail polish remover)
 - Cyanoacrylates (i.e., "Superglue")
 - Glycol ethers (including Radio Shack ® Precision Electronics)
 - Cleaner - dipropylene glycol monomethyl ether
 - Formaldehyde or butadiene (including Ashland PLIOBOND ® adhesive)
 - Dymax 984-LVUF conformal coating
 - Loctite Sumo Glue, Loctite 384 adhesive, Loctite 7387 activator
 - Gorilla Glue, Bleach, Bleach-containing cleaners, sprays

- Remove the insulation material from the luminaire or provide enough space so that the temperature raising will not overpass the limited TC.
- LED chip is very sensitive to switching transients, therefore, LED lamps and appliances must be connected after power cut off, no hotswappable.
- Recommends using the driver indicated on the luminaire manual.
- Must consider the polarity of the product.
- If the external flexible cable or cord of this lamp is damaged, the cord should be replaced by the manufacturer or its service agent or a similarly qualified person
- The light source in this lamp should be replaced by the manufacturer or its service agent or a similarly qualified person

8.