

LINNOU

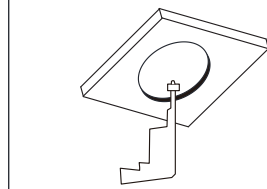
Linnou series installation instructions

1.

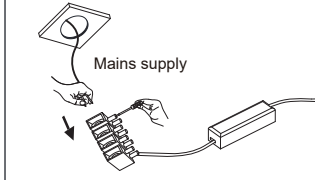
SERIES	CUT-OUT	SERIES	CUT-OUT
Narrow trim model(suitable for the ceiling thickness 8-20mm)			
DR00701	Ø55mm	DR00707	Ø65mm
DR00702	Ø55mm	DR00708	Ø65mm
DR00722	Ø55mm	DR00730	Ø65mm
DR00723	Ø55mm	DR00731	Ø65mm
DR00734	Ø65mm	DR00735	Ø65mm
3111209	Ø55mm	4111209	Ø65mm
3111109	Ø55mm	4111109	Ø65mm
Trimless model(With pre-installation kit, suitable for ceiling thickness 8-20mm)			
DR00703	Ø55mm	DR00709	Ø65mm
DR00704	Ø55mm	DR00710	Ø65mm
DR00724	Ø55mm	DR00732	Ø65mm
DR00725	Ø55mm	DR00733	Ø65mm

Installation Instructions(Narrow trim mounted with clips) :

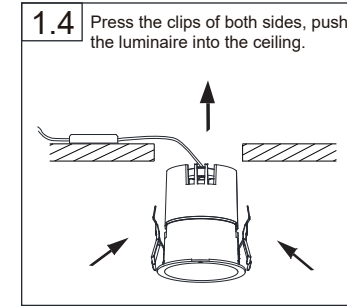
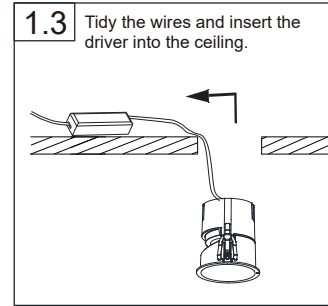
1.1 Check the cutting size of the product, cut a hole in the ceiling.



1.2 Connect the wires of driver with the input electricity power supply cable together under the condition of power off . (Please choose a matched constant current driver for the luminaire firstly if there is no driver included.)



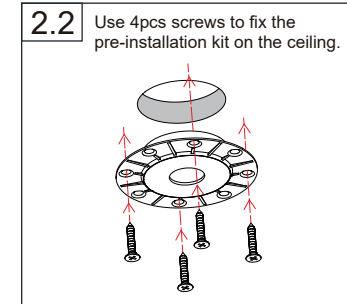
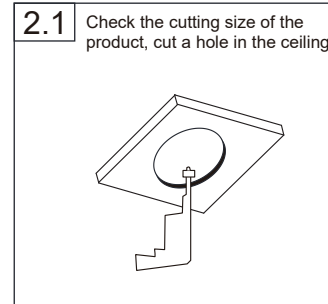
2.



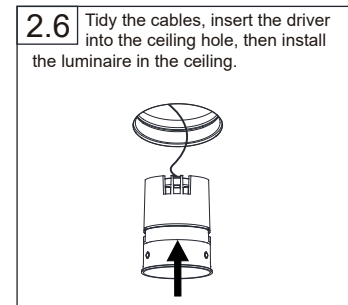
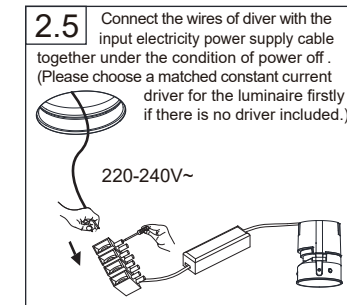
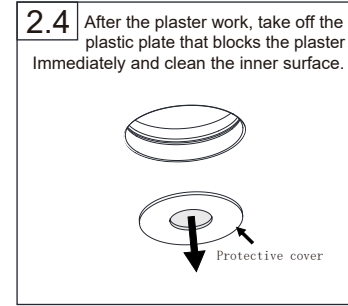
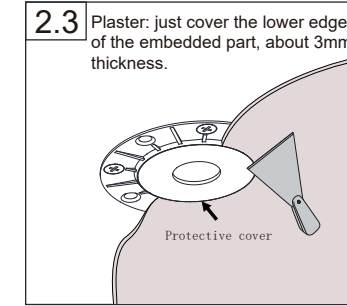
Above steps are only for narrow trim models, the specific appearance is subject to the real product!

Installation Instructions(Trimless mounted with pre-installation kit) :

The pre-installation kit should be installed before plaster.



3.



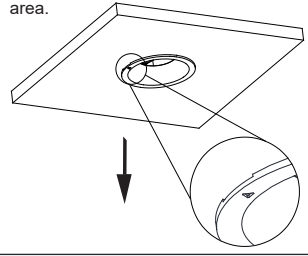
Above steps are only for the trimless models, the specific appearance is subject to the real product!

4.

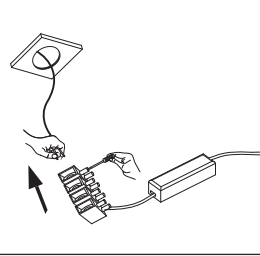
Module Replacement:

Take an example of narrow trim model, for the trimless model to change the LED module please refer to the narrow trim model.

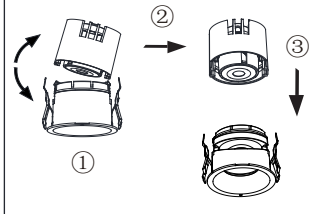
3.1 Cut off the power and take out the luminaire from triangle marked area.



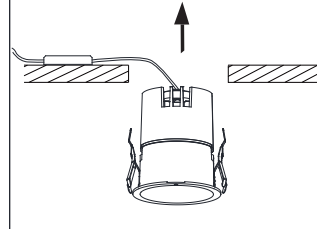
3.2 Pull out the cable after power cut off.



3.3 ① Take out the LED module (Take out the clip on one side firstly, then other side). ② Change the LED module. ③ Assemble the LED module.



3.4 Connect with the electric supply and put the luminaire into the ceiling.

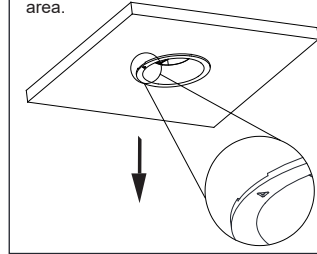


5.

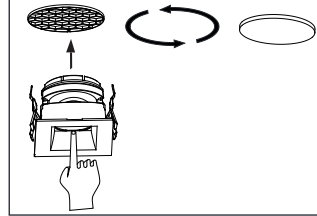
Trim and lens Replacement:

Take an example of narrow trim model, for the trimless model to change the optical accessories please refer to the narrow trim model.

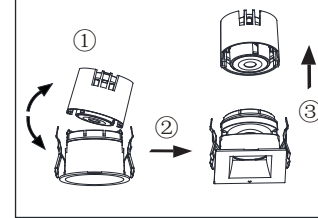
4.1 Cut off the power and take out the luminaire from triangle marked area.



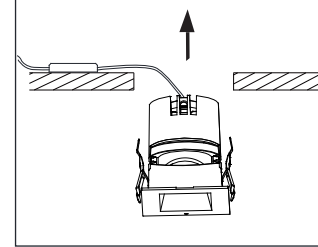
4.2 If you need change the optical accessories: Kick off the optical part from the front ring after the front ring is taken out, then assemble the front ring.



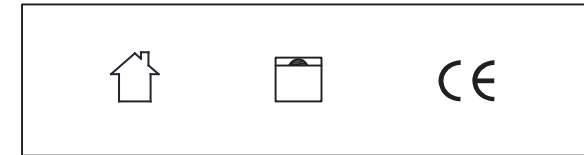
4.2 ① Take out the front ring (Take out the clip on one side firstly, then other side). ② Change the front ring. ③ Assemble the front ring.





4.3 Press the clips of both sides, push the luminaire into the ceiling.



6.



 This product is only suitable for indoor. It is not allowed to be rinsed with water.

 Independent external driver, recessed mounted.

Do not clean LED chip and reflector with hand or towel !



- Use only drivers that comply with IEC or CE safety standards.
- Check if the power supply match with the luminaire.
- Must consider the maximum current value displayed on the label of the luminaire.
- The voltage displayed on the luminaire is not used to select the constant voltage driver, but the voltage covered by the selected constant current driver.
- Take suitable ESD measures to avoid touching bare conductors.
- LED chips can be damaged if be in touch with chemical material or gas. Therefore, it is not allowed to clean the LED housing or luminaire by chemicals.
- The following items are confirmed to have negative impact on the performance of the luminaire, avoid to keep luminaire in the same circumstance with them.
 - Methyl acetate or ethyl acetate (i.e., nail polish remover)
 - Cyanoacrylates (i.e., "Superglue")
 - Glycol ethers (including Radio Shack ® Precision Electronics Cleaner - dipropylene glycol monomethyl ether)
 - Formaldehyde or butadiene (including Ashland PLIOBOND ® adhesive)
 - Dymax 984-LVUF conformal coating
 - Loctite Sumo Glue, Loctite 384 adhesive, Loctite 7387 activator
 - Gorilla Glue, Bleach, Bleach-containing cleaners, sprays

- Remove the insulation material from the luminaire or provide enough space so that the temperature raising will not overpass the limited TC.
- LED chip is very sensitive to switching transients, therefore, LED lamps and appliances must be connected after power cut off, no hotswappable.
- Recommends using the driver indicated on the luminaire manual.
- Must consider the polarity of the product.
- If the external flexible cable or cord of this lamp is damaged, the cord should be replaced by the manufacturer or its service agent or a similarly qualified person
- The light source in this lamp should be replaced by the manufacturer or its service agent or a similarly qualified person

7.

8.