

LED strip instruction manual

1.

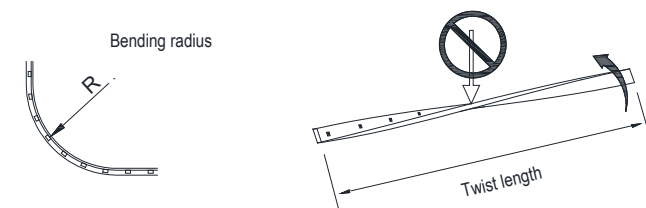
WARNING !

- The following safety precautions are intended to prevent any injury or damage to other things, and may cause damage if the product violates precautions during use.
1. Installation and inspection of the product must be carried out by a professional with an electrician's certificate.
 2. Please use DC24V power supply. Please insure right positive and negative connection. Do not use other power sources, such as AC220-240V.
 3. All power cables should be with protection treatment. The power supply wiring should be insulated and waterproof.
 4. The product should not be covered thermal insulation material or inflammables, which may cause the product to malfunction or catch fire.
 5. The installation must be firm, without loosening, sagging, etc., and the product cannot be moved forcibly after installation.
 6. For safety, do not look directly at the LED light source.
 7. Do not use as task illumination when in building construction.
 8. LED module can't be changed.

PRECAUTIONS

- Precautions for storage:
1. storage temperature and humidity: 0°C-55°C 40-70%RH
 2. Do not unwarpage packaging during storage. Please place in the direction indicated by the carton. Do not stack heavy objects on the packing box.
 3. Please do not store the product under the following conditions:
 - High humidity
 - High temperature
 - confetti and dust
 - sunlight exposed
 - Chemicals such as strong acids, strong bases, solvents, etc
- Precautions for installation and use:
1. Install in strict accordance with the instructions.
 2. temperature of product use: -10°C-+40°C. Do not use under the following conditions:
 - High temperature
 - high humidity,
 - dust,
 - sun exposure,
 - strong acid and strong alkali solvents,
 - >2000 meters high altitude,
 - high air pressure,
 - electromagnetic influence,
 - places that may cause vibration or fall
 3. Random cutting, breakage, forcibly pull, twist, press and tag on the product is prohibited.

2.



When bending radius of the strip is $\geq 100\text{mm}$, do not bend the strip with less than the radius.

When the twist length is $\geq 500\text{mm}$, the twist angle can be 360° . When the length is less than 500mm, the strip can't be twisted.

Image 1

Image 2

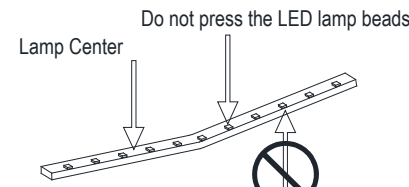


Image 3

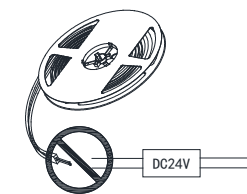


Image 4

I Fixed Type :

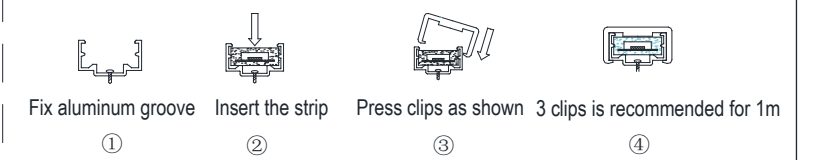
Aluminum groove of our brand is recommended.

1. Fix with aluminum groove:

a. 103305 Aluminum groove

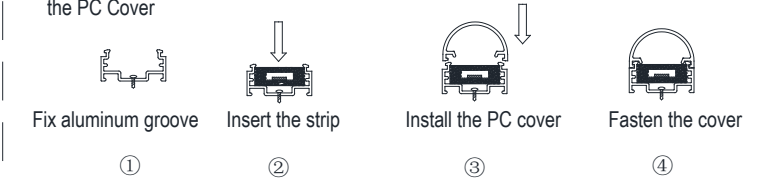
Fix the aluminum groove with screws, insert the strip into the aluminum slot, and then install clips

3.

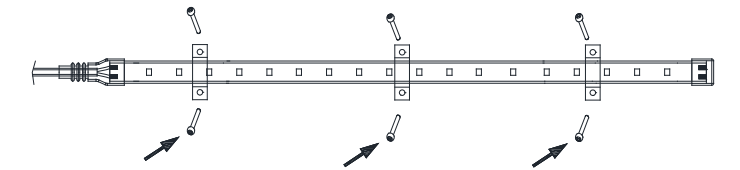


b. 103207 aluminum groove and 412261 PC Cover

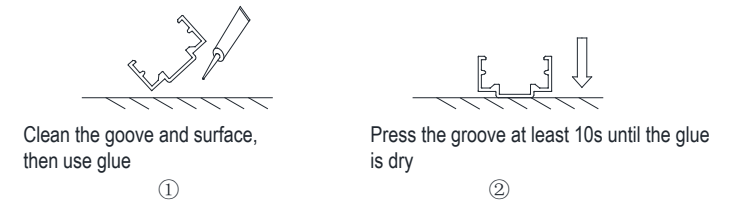
Fix the aluminum groove with screws, insert the strip into the aluminum slot, and then install the PC Cover



2. Fix with clips:
Fix the strip with clips and screws (3 clips for 1m)

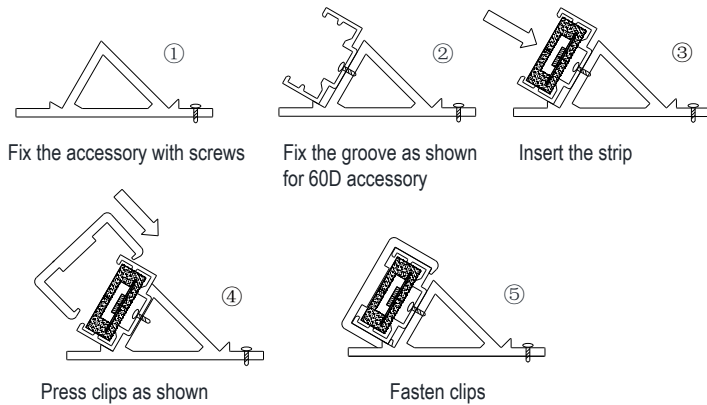


3. Fix with glue:
006018000 glue can be used to fix the aluminum groove when not use screws. Then install the strip according to 1-a ②③④

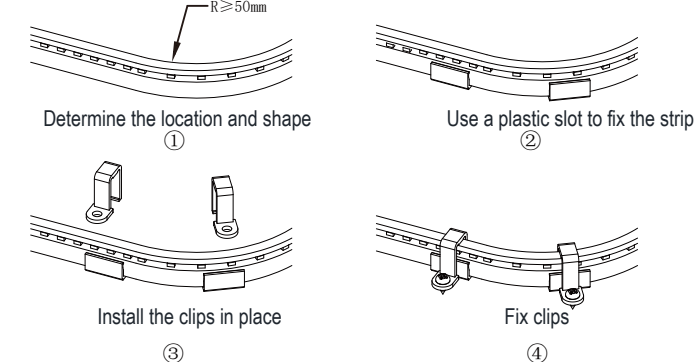


4.

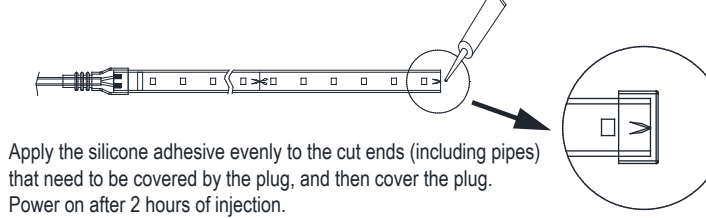
4. Fix with 45D/60D installation Accessory



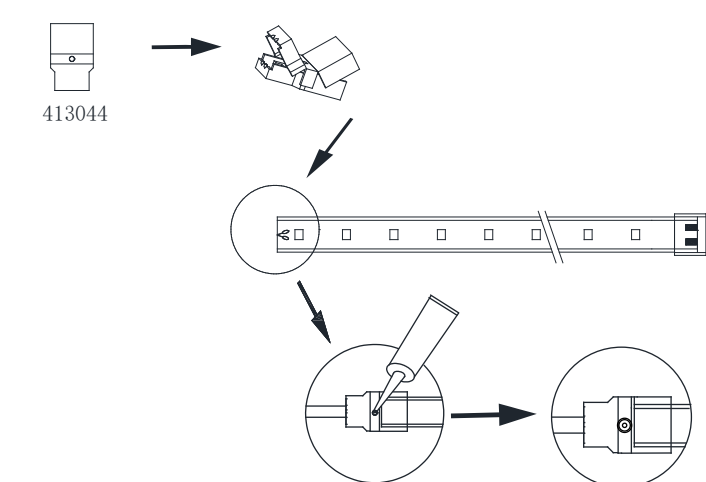
2 Curve installation



③ Cut and end treatment



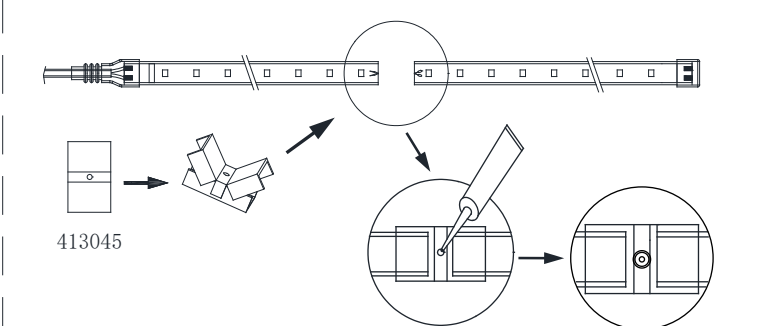
④ Cut-end treatment



Insert quick connector (413044) on the cutting position, insert power cord at the other end (make sure that the connecting copper sheet is in full contact). Fasten the flip cover and then fill glue. Power on after 2 hours of glue injection.

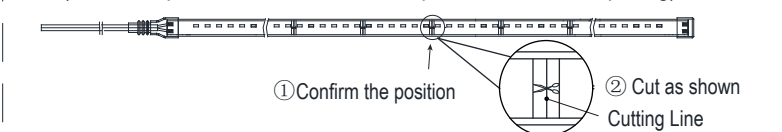
7.

2. Please connect as per below



Insert quick connector (413045) on the cutting position, insert power cord at the other end (make sure that the connecting copper sheet is in full contact). Fasten the flip cover and then fill glue. Power on after 2 hours of glue injection.

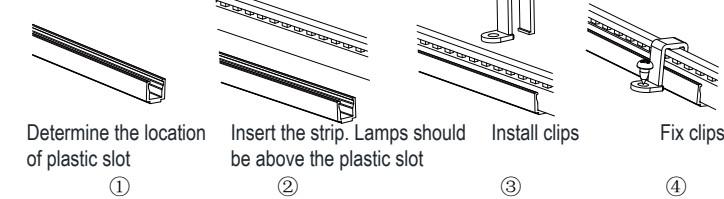
3. Connection method for side-emitting strip light
(Attention please: Turnable white strip isn't suitable for splicing)



There are three cutting lines for different application, as below shown:

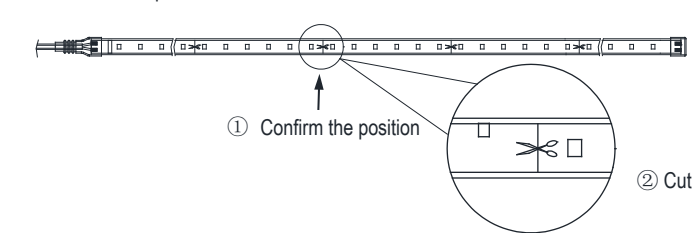
8.

5. Installation of side-emitting strip Light
1 Linear installation



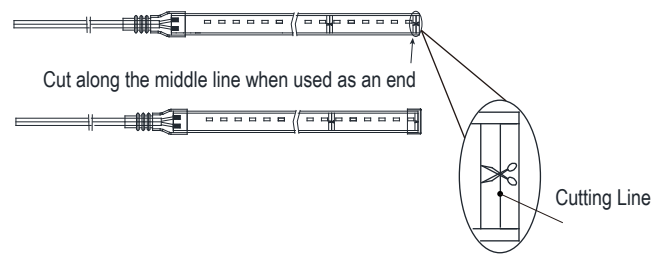
5.

1. Please cut as per below:

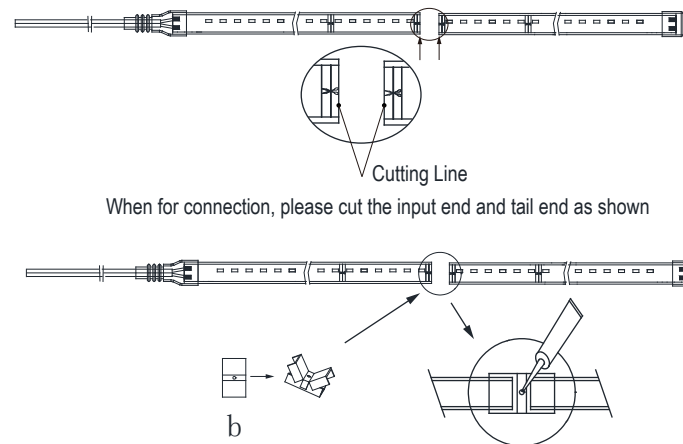


6.

a. Cut as an end

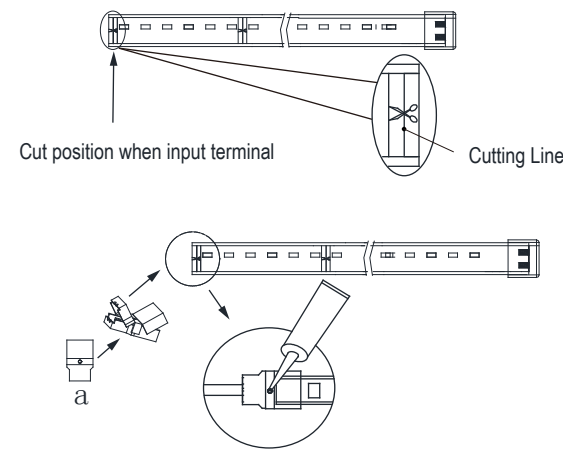


b. Cut for connection



9.

c. Cut as an input end



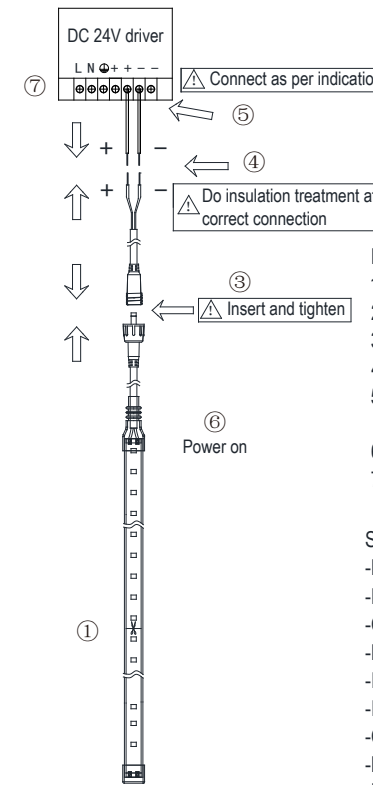
Attention, please!

1. After cutting, the cut position needs to be insulated and glued. The protection level can only reach IP44.
2. The max length of a strip shall not be over 5m

10.

III Driver installation and wiring

DC 24V driver installation



Power selection note:
Select the corresponding IP rating driver according to the actual use environment

Instructions:

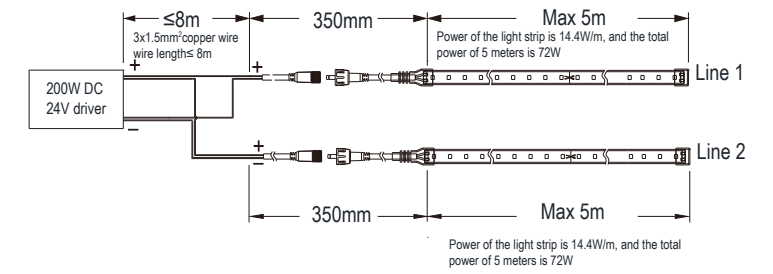
1. Fix the strip
2. Fix the DC 24V driver
3. Insert connector and fasten (IP67)
4. Connect the strip with the driver
5. Connect DC 24V power input to main power
6. Double check
7. Power on

Safety for DC 24V driver installation:

- Power off when handling the installation
- Fix the driver firmly
- Connect the wire as per markings
- Pay attention to the polarity when connection
- Insure good contact of terminals
- Insure good connect of connectors
- Carefully make insulation after connection
- Keep minimum 20% space for output power
- Do not use non-isolated driver

11.

Connect more than 5m - Type A.

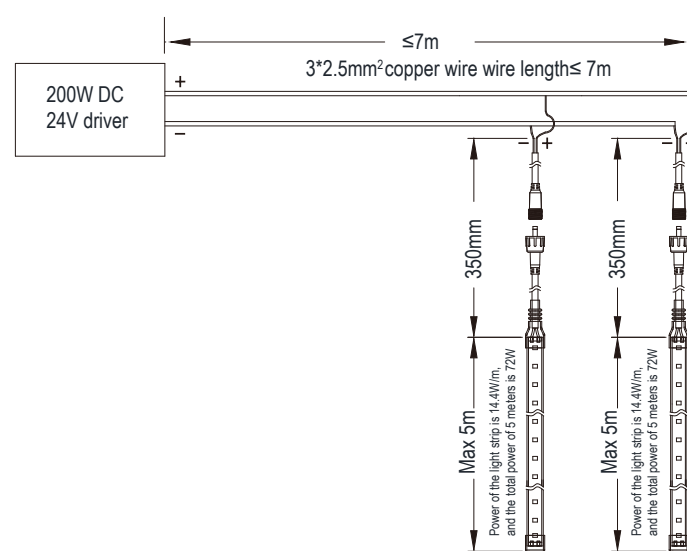


Note:

1. It is suggested to keep minimum 20% space for output power, Driver in the figure is 200W and the power of strip is 14.4W/m, so the loadable length is 11m, and the actual length is rounded to 10m
2. The max connection length is 5m
There are 10m in the figure. The strip over 5m should be led separately from the driver (led from the driver in two separate loop)

12.

Connect more than 5m - Type B



Note:

1. It is suggested to keep minimum 20% space for output power, Driver in the figure is 200W and the power of strip is 14.4W/m, so the loadable length is 11m, and the actual length is rounded to 10m
2. The max connection length is 5m
here are 10m in the figure, the one over 5m should be connected to the main line separately

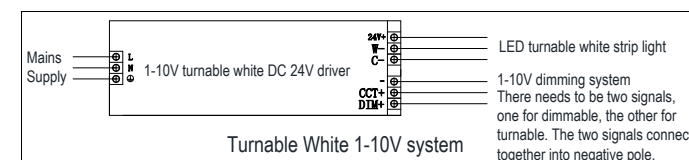
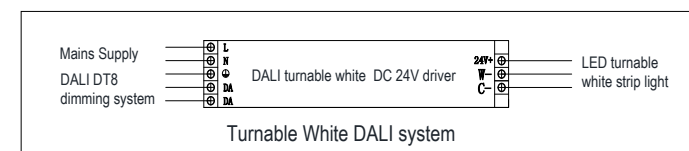
13.

Wiring Diagram for turnable white strip light

a. Wiring diagram

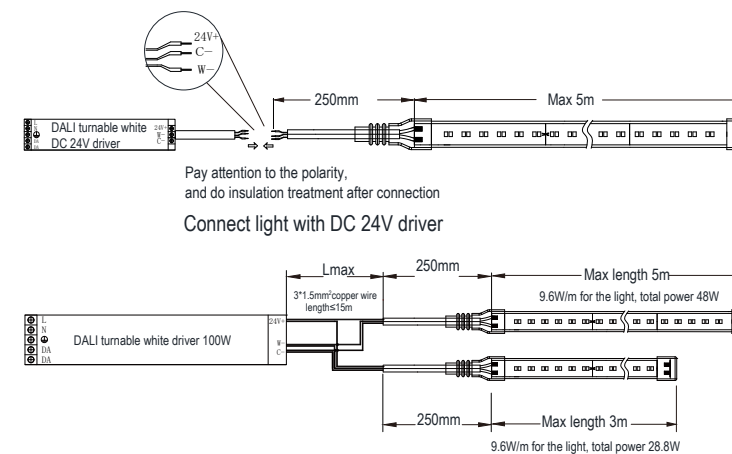
Driver for turnable white

Turnable white strip needs to use a special dimmable driver, and the driver should be compatible with the dimming system (DALI/1-10V).



14.

b. Wiring diagram between light and DC 24V driver



Note:

1. It is suggested to keep minimum 20% space for output power.
Driver in the figure is 200W and the power of strip is 9.6W/m, so the loadable length is 8m.
2. The max length of light is 8m. The strip over 5m should be led separately from the driver

15.

Maintenance

-To ensure the stable use of the product and prolong its service life, regular inspection and cleaning is needed
-Cleaning and inspection at least every 3 months with power off

Inspection Method

- Whether driver and chips work well
- Whether there is unusual smell, sound or heat.
- Whether there are breakage, or looseness, etc. If an abnormality is found, please immediately power off and stop using, and eliminate the abnormality in time.

Cleaning

-Gently wipe the product with a soft cloth

16.