

Grace series installation instructions

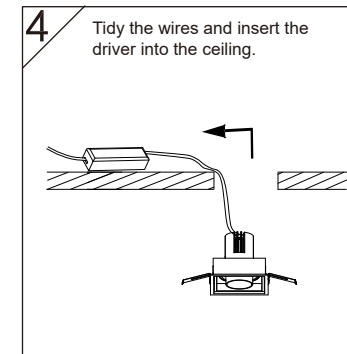
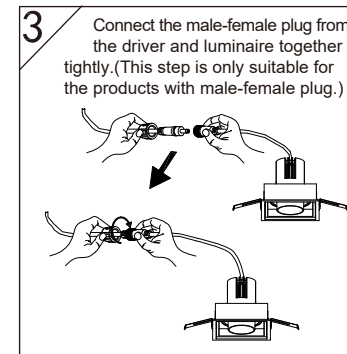
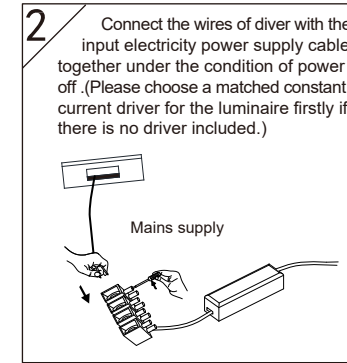
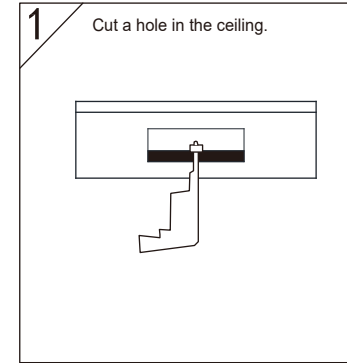
1.

SERIES	HEADS	CUT-OUT (mm)	SERIES	HEADS	CUT-OUT (mm)
1371210	single head	135×135	1571210	single head	160×160
2371210	double heads	280×135	2571210	double heads	330×160
1971210	single head	105×105	DR00907	single head	100×100
2971210	double heads	215×105	DR00908	double heads	195×100
3971210	triple heads	325×105	DR00909	triple heads	285×100
DR00901	single head	70×70	DR00904	single head	66×66
DR00902	double heads	130×70	DR00905	double heads	127×66
DR00903	triple heads	190×70	DR00906	triple heads	187×66

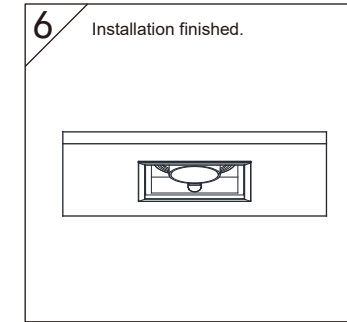
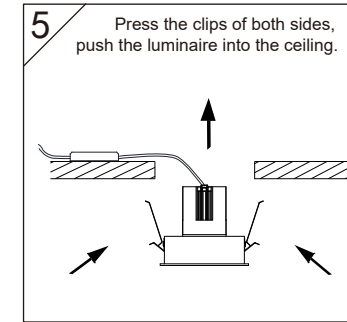
2.

Installation Instructions:

- Product should be installed on the ceiling which thickness range from 8-20mm.
- The specific appearance is subject to the real product!

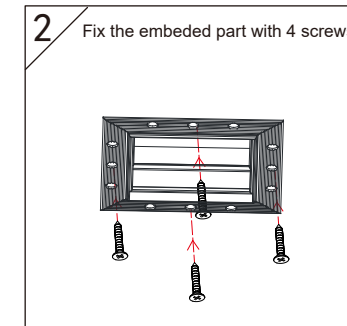
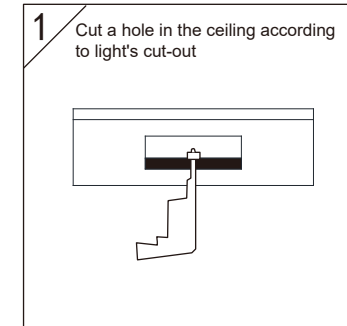


3.



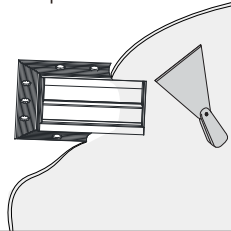
Instructions (for trimless version with embedded part):

Embedded part should be installed before plaster-in

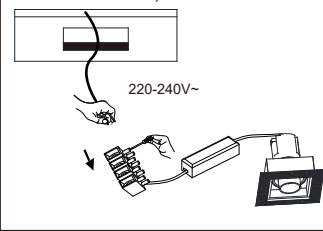


4.

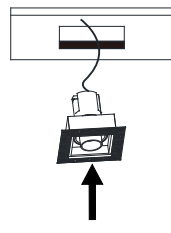
- 3** Plaster-in, Apply plaster to cover the lower edge of the embedded part, about 3mm thickness. Clean the surface after plaster-in



- 4** Connect the driver with mains supply with power off (please connect with suitable driver firstly if the light is without driver)



- 5** Put the driver into the hole and insert light into embeded part.

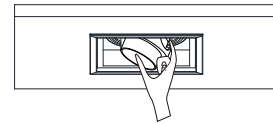


This instruction is only for trimless version with embeded part.
The specific appearance is subject to the real product!

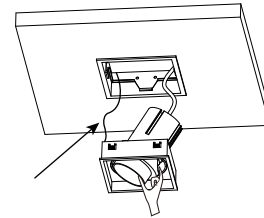
5.

Front cap and LED engine change:
The following instruction is only for luminaires with change function.

- 1** Under power off condition, tilt the lamp, pull it down by grabbing the notch in the lamp

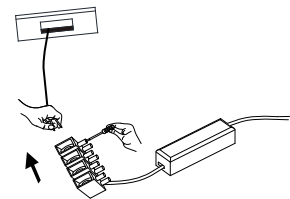


- 2** Take the lamp out.

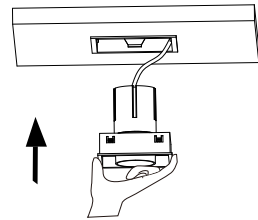


If there a safety wire, please take the insurance down before the next step.

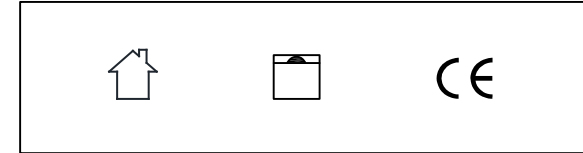
- 3** Disintegrate the power supply cable.



- 4** Connect the power supply cable, lock down the insurance wire after ensure the electrical circuit is correct Push the lamp into the frame to install.



6.



This product is only suitable for indoor.
It is not allowed to be rinsed with water.

Independent external driver, recessed mounted.

7.

Do not clean LED chip and reflector with hand or towel !



- Use only drivers that comply with IEC or CE safety standards.
- Check if the power supply match with the luminaire.
- Must consider the maximum current value displayed on the label of the luminaire.
- The voltage displayed on the luminaire is not used to select the constant voltage driver, but the voltage covered by the selected constant current driver.
- Take suitable ESD measures to avoid touching bare conductors.
- LED chips can be damaged if be in touch with chemical material or gas. Therefore, it is not allowed to clean the LED housing or luminaire by chemicals.
- The following items are confirmed to have negative impact on the performance of the luminaire, avoid to keep luminaire in the same circumstance with them.
 - Methyl acetate or ethyl acetate (i.e., nail polish remover)
 - Cyanoacrylates (i.e., "Superglue")
 - Glycol ethers (including Radio Shack © Precision Electronics Cleaner - dipropylene glycol monomethyl ether)
 - Formaldehyde or butadiene (including Ashland PLIOBOND © adhesive)
 - Dymax 984-LVUF conformal coating
 - Loctite Sumo Glue, Loctite 384 adhesive, Loctite 7387 activator
 - Gorilla Glue, Bleach, Bleach-containing cleaners, sprays

- Remove the insulation material from the luminaire or provide enough space so that the temperature raising will not overpass the limited TC.
- LED chip is very sensitive to switching transients, therefore, LED lamps and appliances must be connected after power cut off, no hotswappable.
- Recommends using the driver indicated on the luminaire manual.
- Must consider the polarity of the product.
- If the external flexible cable or cord of this lamp is damaged, the cord should be replaced by the manufacturer or its service agent or a similarly qualified person
- The light source in this lamp should be replaced by the manufacturer or its service agent or a similarly qualified person

8.