

FOLLO

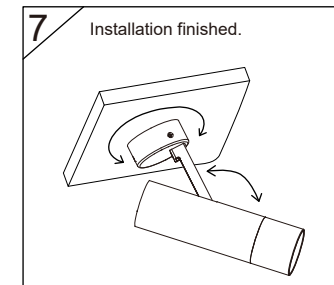
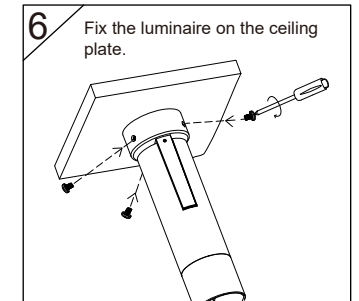
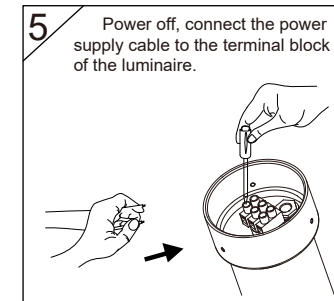
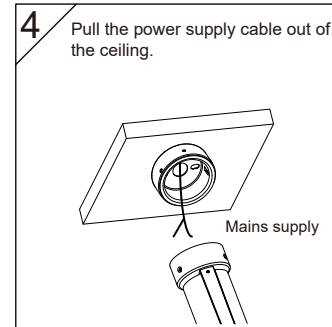
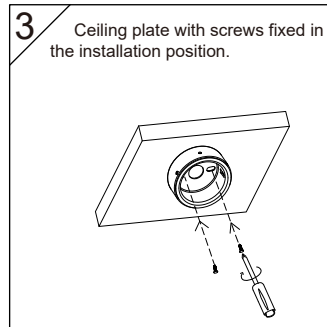
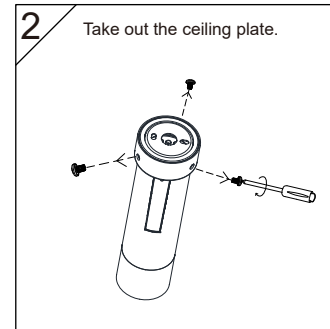
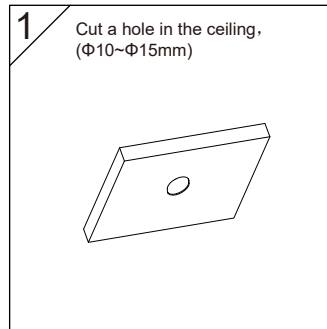
Follo series installation instructions

**SERIES**

TS00102

TS00101

**Installation Instructions:**



The specific appearance is subject to the real product !

1.

2.

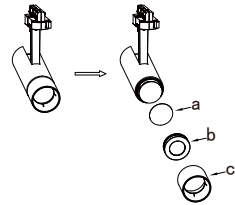
3.

## Optical Accessories Change:

Options: Linear lens, Honeycomb, Cross Louver

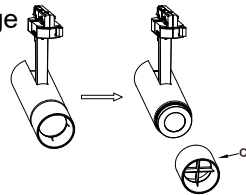
### 1、 Linear Lens Change

1. Cut power off;
2. Take off c/b, put in a and then fix b/c successively



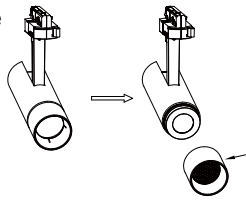
### 2、 Cross Louver Change

1. Cut power off;
2. Take off c, change cross louver and then fix.



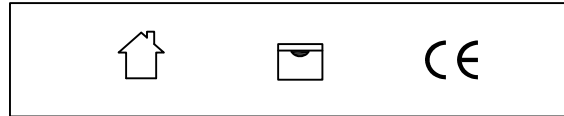
### 3、 Honeycomb Change

1. Cut power off;
2. Take off c, change honeycomb and then fix.



The specific appearance is subject to the real product !

4.



This product is only suitable for indoor,  
It is not allowed to be rinsed with water.



LED driver is built in. The luminaire is surface-mounted.

5.

Do not clean LED chip and reflector with hand or towel !



- Use only drivers that comply with IEC or CE safety standards.
- Check if the power supply match with the luminaire.
- Must consider the maximum current value displayed on the label of the luminaire.
- The voltage displayed on the luminaire is not used to select the constant voltage driver, but the voltage covered by the selected constant current driver.
- Take suitable ESD measures to avoid touching bare conductors.
- LED chips can be damaged if be in touch with chemical material or gas. Therefore, it is not allowed to clean the LED housing or luminaire by chemicals.
- The following items are confirmed to have negative impact on the performance of the luminaire, avoid to keep luminaire in the same circumstance with them.
  - Methyl acetate or ethyl acetate (i.e., nail polish remover)
  - Cyanoacrylates (i.e., "Superglue")
  - Glycol ethers (including Radio Shack @ Precision Electronics)
  - Cleaner - dipropylene glycol monomethyl ether
  - Formaldehyde or butadiene (including Ashland PLIOBOND @ adhesive)
  - Dymax 984-LVUF conformal coating
  - Loctite Sumo Glue · Loctite 384 adhesive · Loctite 7387 activator
  - Gorilla Glue · Bleach, Bleach-containing cleaners, sprays
- Remove the insulation material from the luminaire or provide enough space so that the temperature raising will not overpass the limited TC.
- LED chip is very sensitive to switching transients, therefore, LED lamps and appliances must be connected after power cut off, no hotswappable.
- Recommends using the driver indicated on the luminaire manual.
- Must consider the polarity of the product.
- If the external flexible cable or cord of this lamp is damaged, the cord should be replaced by the manufacturer or its service agent or a similarly qualified person
- The light source in this lamp should be replaced by the manufacturer or its service agent or a similarly qualified person

6.