

**ASTA series installation instructions**

SERIES	
BB00201	BB00202

**Application range:**

The product is applicable to indoor and outdoor locations such as squares, side works, yards, corridors.

The specific appearance shall be subject to our actual products !

**Installation instructions I**

This instruction is suitable for installation with embedded part

**1.1** Install the embedded part in the settled assembly position, and tidy the power cable

**1.2** Connect the waterproof accessory with the power cable. Install the light into the embedded part with lamp body downward.

**1.3** Light up and finish installation

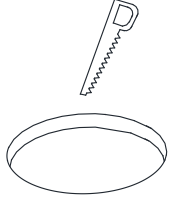
**1.4** For repair or change, the light can be pulled out by a straight screwdriver

## Installation instructions II

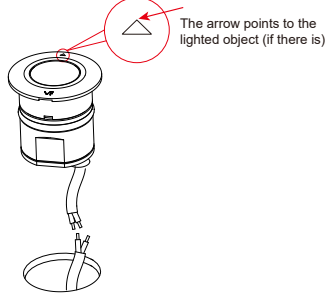
This instruction is suitable for recessed installation

**2.1** Cut a hole in the installation site according the cut-out of the light

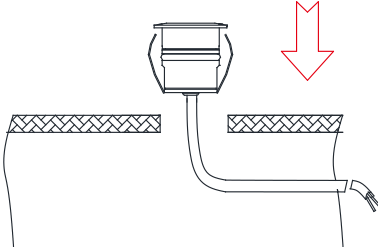
Model	Cut-out	Thickness of mounting plate
BB00201	Ø24-Ø28mm	≥5mm
BB00202	Ø45-Ø50mm	≥5mm



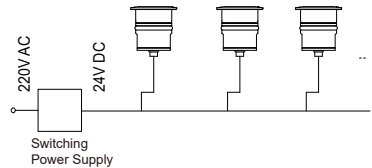
**2.2** Connect the power cable with the light under power off condition






**2.3** Fix the light into the hole with the light downward



**2.4** Light up and finish installation



## Wiring instructions

2 core wire (applicable for non-dimmable light)	4 core wire (applicable for DALI/0-10V dimmable light)	6 core wire (applicable for DMX dimmable light)
 <p>Brown : DC 24V + Blue : DC 24V -</p>	 <p>Red : DC 24V + Black : DC 24V - Green : DIM + Yellow : DIM -</p>	 <p>Brown : DC 24V + Green : DC 24V - Purple : DIM + Gray : TI/TO White : DIM - Black : GND</p>

- Use only drivers that comply with IEC or CE safety standards.
- Check if the power supply match with the luminaire.
- Must consider the maximum current value displayed on the label of the luminaire.
- The voltage displayed on the luminaire is not used to select the constant voltage driver, but the voltage covered by the selected constant current driver.
- Take suitable ESD measures to avoid touching bare conductors.
- LED chips can be damaged if be in touch with chemical material or gas. Therefore, it is not allowed to clean the LED housing or luminaire by chemicals.
- The following items are confirmed to have negative impact on the performance of the luminaire, avoid to keep luminaire in the same circumstance with them.
  - Methyl acetate or ethyl acetate (i.e., nail polish remover)
  - Cyanoacrylates (i.e., "Superglue")
  - Glycol ethers (including Radio Shack ® Precision Electronics)
  - Cleaner - dipropylene glycol monomethyl ether
  - Formaldehyde or butadiene (including Ashland PLIOBOND ® adhesive)
  - Dymax 984-LVUF conformal coating
  - Loctite Sumo Glue、 Loctite 384 adhesive、 Loctite 7387 activator
  - Gorilla Glue、 Bleach、 Bleach-containing cleaners, sprays
- Remove the insulation material from the luminaire or provide enough space so that the temperature raising will not overpass the limited TC.
- LED chip is very sensitive to switching transients, therefore, LED lamps and appliances must be connected after power cut off, no hotswappable.
- Recommends using the driver indicated on the luminaire manual.
- Must consider the polarity of the product.
- If the external flexible cable or cord of this lamp is damaged, the cord should be replaced by the manufacturer or its service agent or a similarly qualified person
- The light source in this lamp should be replaced by the manufacturer or its service agent or a similarly qualified person